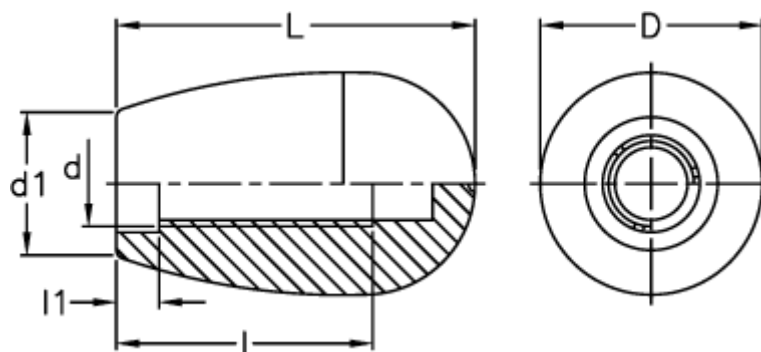


Data Sheet



Article number: 2304121001
Description: E+G Handle
I.622/40-M10

Measures



D = 26
d1 = 17
d 6H = M10
l = 30
L = 42.0
l1 = 5.0